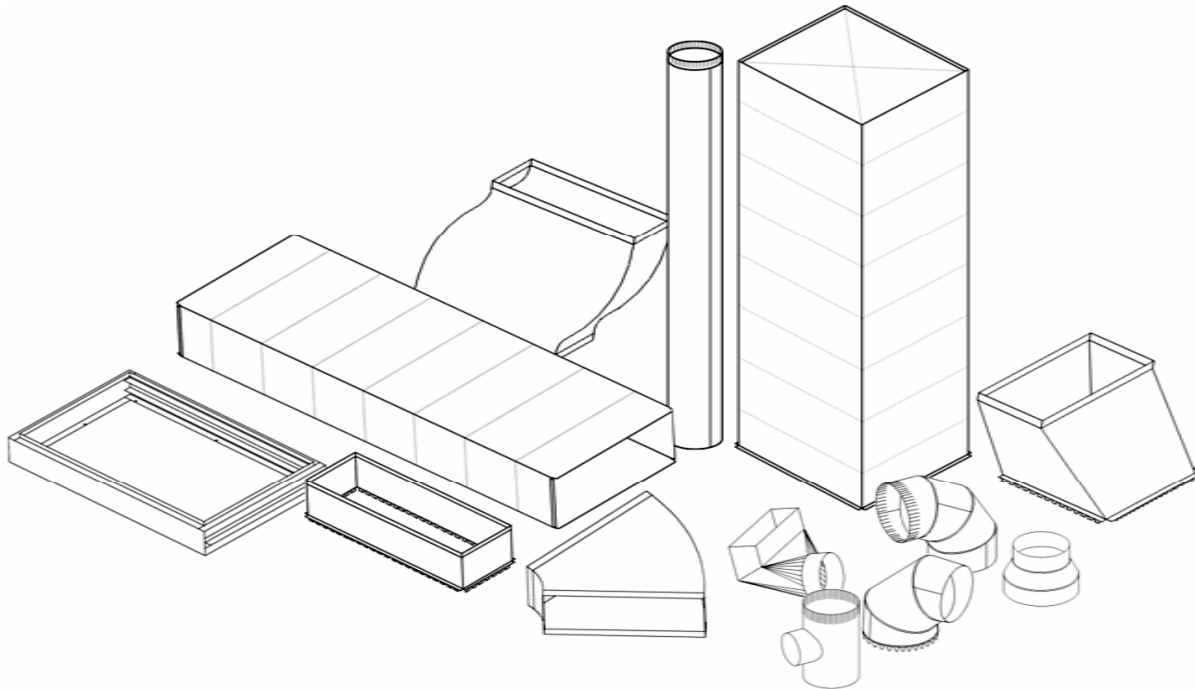


CATALOGUE

2009



8 Pioneer Road
Steinbach MB R5G 1W3
Canada

Phone: 204.320.2959

email: info@kehfab.com
www.kehfab.com

Fax: 204.320.1731

At Kehler Sheet Metal Fabrication we are continually working to increase our efficiency and reduce fabricating costs. This allows us to provide you fair prices and assist you in achieving a competitive edge in your own industries.

We can customize any sheet metal fitting to your specifications; don't hesitate to contact us for a quote. For most HVAC fittings we can give you an immediate price over the phone.

As demands require it we will have in stock more items for your convenience.

While we can not control fluctuating metal prices our commitment to you is to offer superior product, excellent service, and competitive pricing.

We are always looking for ways to improve our catalogue and updating it to suit your needs. We appreciate your comments on items you'd like to see in future books.

CONTENTS

	PAGE #		PAGE #
RESIDENTIAL STOCK MATERIAL	1	RESIDENTIAL CUSTOM MATERIAL	19
FURNACE PLENUM	2	DUCT TEES	20
A-COIL ANGLE	2	PLENUM TRANSITION METAL	20
FLEX CONNECTOR	2	METAL JOIST LINER	20
PLENUM TAKE OFFS	3	FURNACE PLENUM	21
DUCT	3	SHORT WAY 90° ELBOWS	22
DUCT HANGERS	3	SHORT WAY 45° ELBOWS	22
RETURN AIR ELBOWS	4	LONG WAY 90° ELBOWS	22
HAMMER LOCK COLLARS	4	LONG WAY 45° ELBOWS	22
RETURN AIR FRAME	4	SHORT WAY 2" OFFSETS	23
FILTER RACKS	5	LONG WAY 2" OFFSETS	23
FURNACE LEGS	5	SHORT WAY 6" OFFSETS	24
LONG WAY 90° ELBOWS	6	LONG WAY 6" OFFSET	24
LONG WAY 45° ELBOWS	6	HORIZONTAL A-COIL PANS	25
SHORT WAY 90° ELBOWS	7	A-COIL DAMPER KITS	25
SHORT WAY 45° ELBOWS	7	FLASHING	26
DUCT TAPERS	8	METAL ROOF FLASHINGS	27
THERMOPAN JOIST LINER	9	FLASHINGS	27
REGISTER BOXES	9	COMMERCIAL STOCK MATERIAL	28
CUT IN COLLAR	9	COMMERCIAL FLEX PIPE	29
DUCT END CAPS	10	INSULATED FLEX PIPE	29
CLEATS	10	SPIRAL PIPE	29
STACK HEAD BOOTS	11	SPIRAL COUPLINGS	29
OVAL PIPE	11	SNAP LOCK PIPE	30
WALL STACKS	11	TOP TAKE OFFS	30
INSULATED FLEX PIPE	12	SIDE TAKE OFFS	30
HRV HOODS	12	ADJUSTABLE ELBOWS	30
EXHAUST HOODS	12	PIPE TAPERS	30
INTAKE HOODS	12	PLUGS	31
SNAP LOCK PIPE	13	LAY-IN T-BAR DIFFUSERS	31
BALANCE DAMPERS	13	EGGCRATE	31
PIPE SUPPORTS	13	CLEATS	32
ADJUSTABLE ELBOWS	14	HANGER STRAP	32
PLUGS	14	FIRE DAMPER ANGLE	32
UNIVERSAL TAKE OFFS	14	DUCT SEALER	32
TOP TAKE OFFS	14	KEHFAB CUSTOM MANUFACTURED	33
SIDE TAKE OFFS	14	MOTORIZED DAMPER	34
REGISTER BOOTS	15	AIR CONTROLLED DAMPER	34
ROUND TEES	16	INTAKE/EXHAUST LOUVER	34
PIPE TAPERS	16	ACCESS DOOR	34
REGISTERS, GRILLES, DIFFUSERS	17	ACAUSTICALLY INSULATED DUCT	34
FOIL BACK INSULATION	18	CUSTOM CNC PLASMA CUTTING	35
FOIL TAPE	18	Custom Cutting	36
ALL-ROUND HANGER STRAP	18	FLAT SHEET STOCK	37
SCREWS	18	GALVANIZED	38
		GALVANEALD	38
		STAINLESS STEEL	38
		COPPER	38
		ALUMINUM	38

RESIDENTIAL STOCK MATERIAL

FURNACE PLENUM (unassembled)

SIZE	HEIGHT	PRICE/EA
17 1/4"x 17 1/4"	59"	\$79.35
17 1/4"x 20"	59"	\$82.58
16 1/2"x 20"	59"	\$82.58

FURNACE PLENUM (assembled)

SIZE	HEIGHT	PRICE/EA
17 1/4"x 17 1/4"	59"	\$88.17
17 1/4"x 20"	59"	\$91.76
16 1/2"x 20"	59"	\$91.76

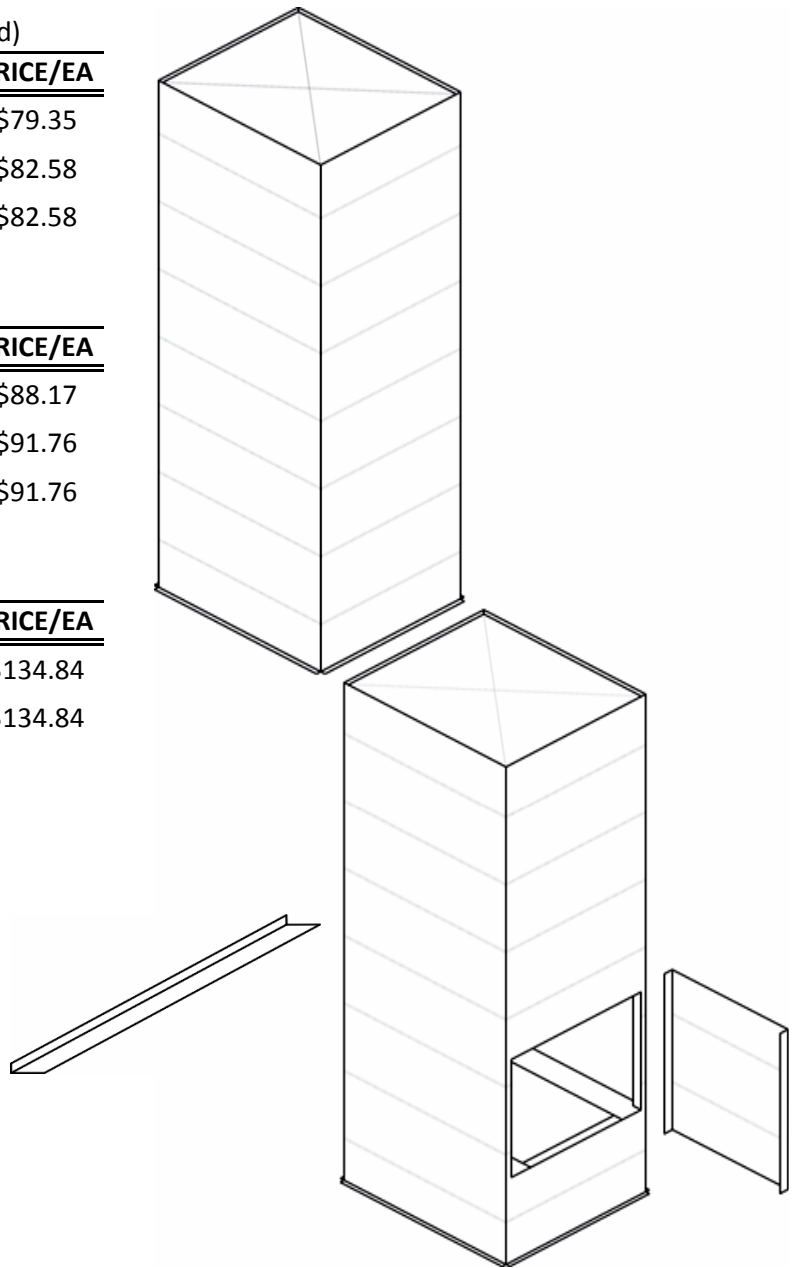
FURNACE PLENUM (A/C ready)

SIZE	HEIGHT	PRICE/EA
17 1/4"x 20"	59"	\$134.84
16 1/2"x 20"	59"	\$134.84

A-COIL ANGLE

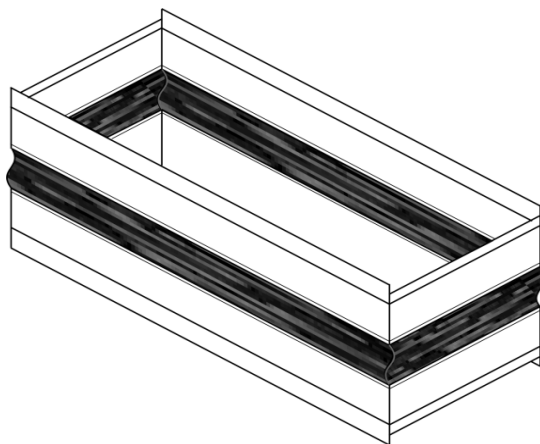
SIZE	PRICE/EA
1"x 1"x 60"	\$2.20
1"x 2"x 60"	\$3.30
1"x 3"x 60"	\$4.40
1"x 4"x 60"	\$5.50
1"x 5"x 60"	\$6.65

***NOTE: Also see A-coil damper kit & horizontal A-coil pan Page 23.**



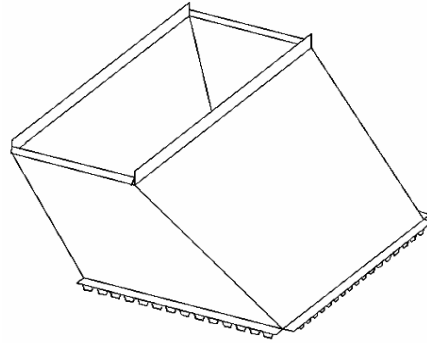
FLEX CONNECTOR

SIZE	PRICE/EA
12"x 8"	\$28.65
14"x 8"	\$30.72
16"x 8"	\$33.23
18"x 8"	\$35.30
20"x 8"	\$37.35
20"x 10"	\$39.93
24"x 8"	\$41.98
24"x 10"	\$44.04



PLENUMS TAKE OFF (unassembled)

SIZE	PRICE/EA
12"x 8"	\$23.45
14"x 8"	\$24.03
16"x 8"	\$26.88
18"x 8"	\$27.63
20"x 8"	\$31.01
20"x 10"	\$31.74
24"x 8"	\$35.37
24"x 10"	\$37.16

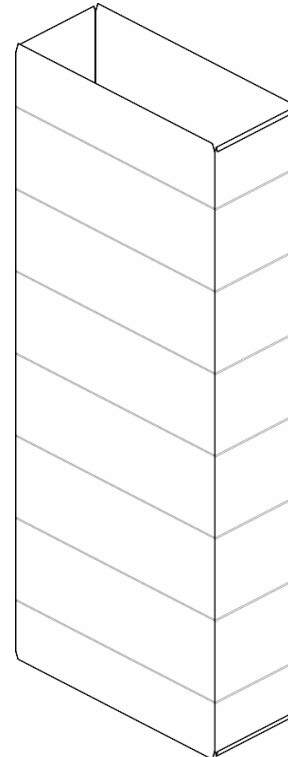


PLENUMS TAKE OFF (assembled)

SIZE	PRICE/EA
12"x 8"	\$26.05
14"x 8"	\$26.70
16"x 8"	\$29.87
18"x 8"	\$30.70
20"x 8"	\$34.45
20"x 10"	\$35.27
24"x 8"	\$39.30
24"x 10"	\$41.29

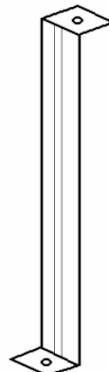
DUCT

SIZE	LENGTH	PRICE/FT
3"x10"	96"	\$3.98
8"x 8"	48"	\$5.56
10"x 8"	48"	\$6.14
12"x 8"	60"	\$6.31
14"x 8"	60"	\$7.58
16"x 8"	60"	\$8.53
18"x 8"	60"	\$9.03
20"x 8"	60"	\$9.72
20"x 10"	60"	\$10.40
24"x 8"	60"	\$10.98
24"x 10"	60"	\$11.56



DUCT HANGERS

SIZE	PRICE/EA
8"	\$0.61
9"	\$0.63

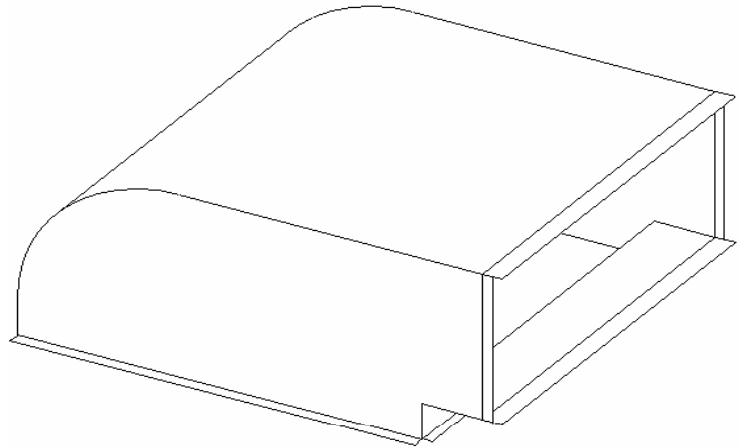


RETURN AIR ELBOW (unassembled)

SIZE	PRICE/EA
20"x 8"- 19"x 19"	\$39.89
20"x 10"- 19"x 19"	\$42.86
24"x 8"- 24"x 15"	\$39.84
24"x 10"- 24"x 15"	\$43.43

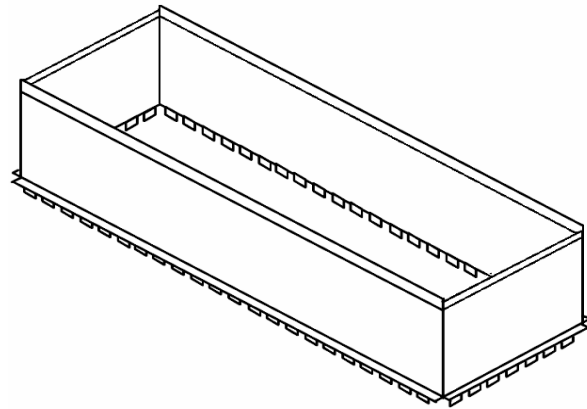
RETURN AIR ELBOW (assembled)

SIZE	PRICE/EA
20"x 8"- 19"x 19"	\$44.32
20"x 10"- 19"x 19"	\$47.62
24"x 8"- 24"x 15"	\$44.27
24"x 10"- 24"x 15"	\$48.25



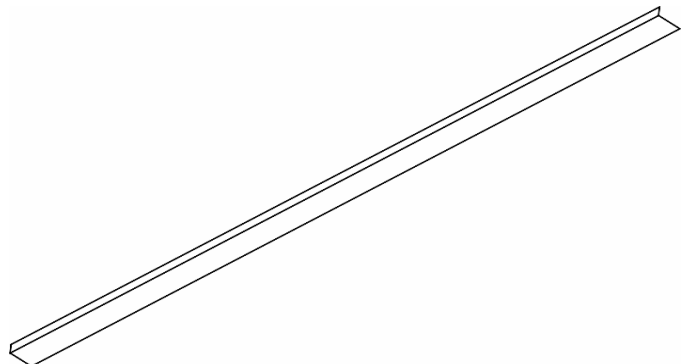
HAMMER LOCK COLLAR

SIZE	PRICE/EA
12"x 8"	\$9.45
14"x 8"	\$10.63
16"x 8"	\$11.54
18"x 8"	\$12.40
20"x 8"	\$12.67
20"x 10"	\$13.61
24"x 8"	\$15.60
24"x 10"	\$16.84



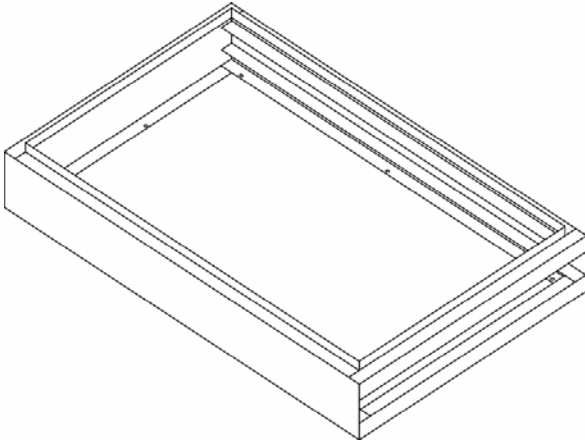
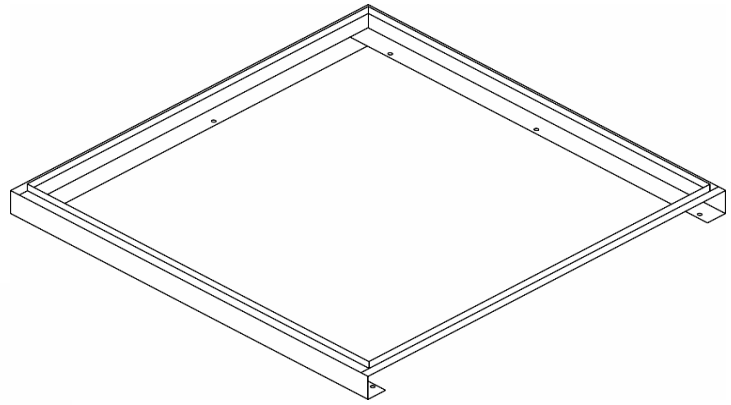
RETURN AIR FRAME

SIZE	PRICE/FT
2"x 1/2"x 96"	\$0.36



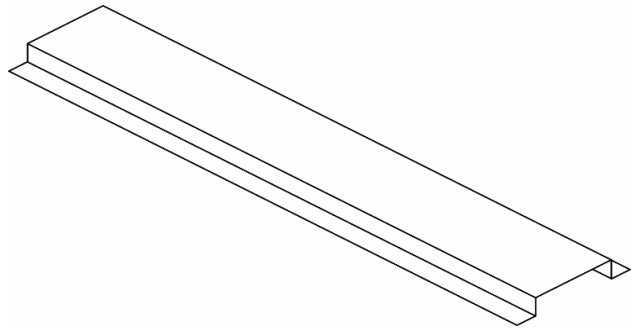
FILTER RACK

SIZE	PRICE/EA
20"x 20"	\$26.37
25"x 16"	\$33.80



FURNACE LEGS (pair)

SIZE	PRICE/EA
20"	\$12.52

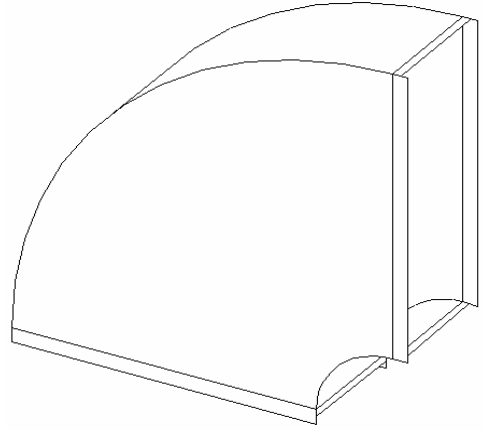


LONG WAY 90° (unassembled)

SIZE	PRICE/EA
12"x 8"	\$20.49
14"x 8"	\$24.08
16"x 8"	\$30.10
18"x 8"	\$36.04
20"x 8"	\$41.01
20"x 10"	\$42.51
24"x 8"	\$54.17
24"x 10"	\$55.95

LONG WAY 90° (assembled)

SIZE	PRICE/EA
3"x 10"	\$15.32
12"x 8"	\$22.77
14"x 8"	\$26.75
16"x 8"	\$33.44
18"x 8"	\$40.04
20"x 8"	\$45.57
20"x 10"	\$47.23
24"x 8"	\$60.19
24"x 10"	\$62.17

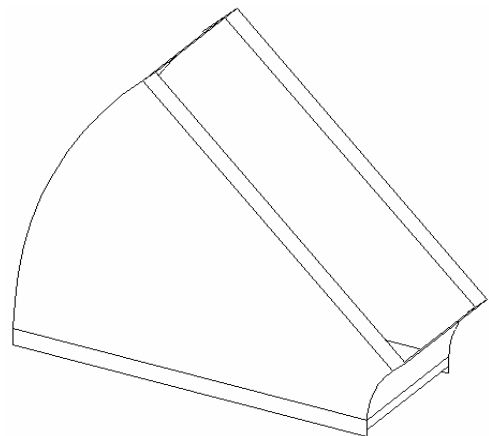


LONG WAY 45° (unassembled)

SIZE	PRICE/EA
12"x 8"	\$18.32
14"x 8"	\$20.49
16"x 8"	\$23.66
18"x 8"	\$25.15
20"x 8"	\$30.87
20"x 10"	\$31.63
24"x 8"	\$37.94
24"x 10"	\$38.84

LONG WAY 45° (assembled)

SIZE	PRICE/EA
3"x 10"	\$12.70
12"x 8"	\$20.35
14"x 8"	\$22.77
16"x 8"	\$26.29
18"x 8"	\$27.94
20"x 8"	\$34.30
20"x 10"	\$35.14
24"x 8"	\$42.15
24"x 10"	\$43.15

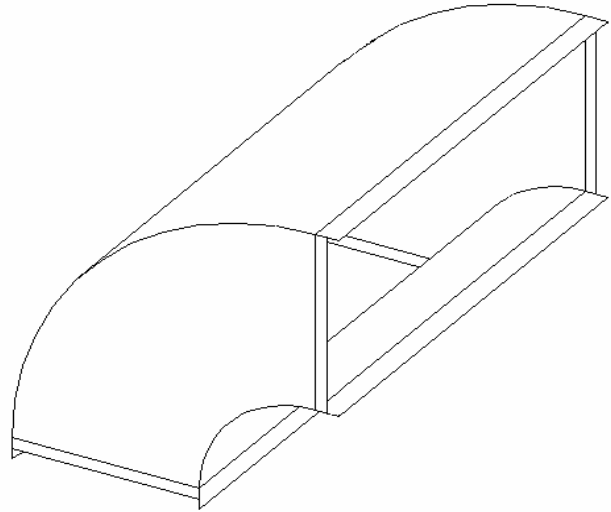


SHORT WAY 90° (unassembled)

SIZE	PRICE/EA
12"x 8"	\$19.31
14"x 8"	\$19.90
16"x 8"	\$22.91
18"x 8"	\$23.66
20"x 8"	\$27.15
20"x 10"	\$27.90
24"x 8"	\$31.67
24"x 10"	\$32.57

SHORT WAY 90° (assembled)

SIZE	PRICE/EA
3"x 10"	\$11.38
12"x 8"	\$21.45
14"x 8"	\$22.11
16"x 8"	\$25.45
18"x 8"	\$26.29
20"x 8"	\$30.17
20"x 10"	\$31.00
24"x 8"	\$35.19
24"x 10"	\$36.19

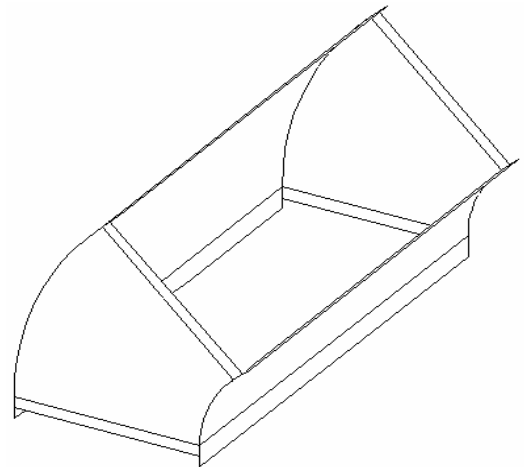


SHORT WAY 45° (unassembled)

SIZE	PRICE/EA
12"x 8"	\$14.21
14"x 8"	\$14.51
16"x 8"	\$16.25
18"x 8"	\$16.61
20"x 8"	\$18.82
20"x 10"	\$20.31
24"x 8"	\$22.54
24"x 10"	\$24.33

SHORT WAY 45° (assembled)

SIZE	PRICE/EA
3"x 10"	\$11.38
12"x 8"	\$15.79
14"x 8"	\$16.12
16"x 8"	\$18.05
18"x 8"	\$18.46
20"x 8"	\$20.91
20"x 10"	\$22.57
24"x 8"	\$25.04
24"x 10"	\$27.03

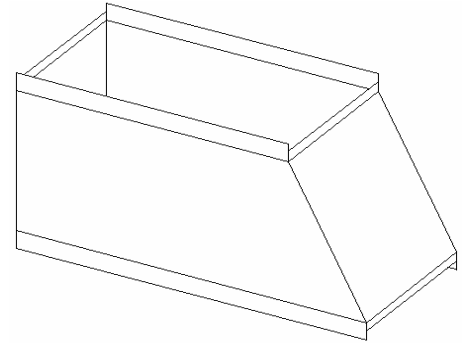


DUCT TAPER (unassembled)

SIZE	PRICE/EA
14"x 8" - 12"x 8"	\$12.74
16"x 8" - 12"x 8"	\$13.58
16"x 8" - 14"x 8"	\$12.09
18"x 8" - 12"x 8"	\$15.81
18"x 8" - 14"x 8"	\$14.32
18"x 8" - 16"x 8"	\$15.12
20"x 8" - 12"x 8"	\$21.08
20"x 8" - 14"x 8"	\$21.08
20"x 8" - 16"x 8"	\$19.59
20"x 8" - 18"x 8"	\$17.36
20"x 10" - 20"x 8"	\$17.36
24"x 8" - 16"x 8"	\$27.20
24"x 8" - 18"x 8"	\$26.31
24"x 8" - 20"x 8"	\$26.31
24"x 10" - 24"x 8"	\$24.52

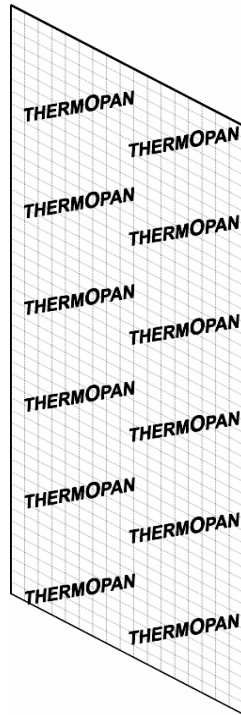
DUCT TAPER (assembled)

SIZE	PRICE/EA
14"x 8" - 12"x 8"	\$14.15
16"x 8" - 12"x 8"	\$15.09
16"x 8" - 14"x 8"	\$13.43
18"x 8" - 12"x 8"	\$17.57
18"x 8" - 14"x 8"	\$15.91
18"x 8" - 16"x 8"	\$16.80
20"x 8" - 12"x 8"	\$23.42
20"x 8" - 14"x 8"	\$23.42
20"x 8" - 16"x 8"	\$21.77
20"x 8" - 18"x 8"	\$19.29
20"x 10" - 20"x 8"	\$19.29
24"x 8" - 16"x 8"	\$30.22
24"x 8" - 18"x 8"	\$29.23
24"x 8" - 20"x 8"	\$29.23
24"x 10" - 24"x 8"	\$27.24



THERMOPAN JOIST LINER

SIZE	PRICE/EA
16"x 48"	\$7.00
19 1/4"x 48"	\$8.25
24"x 48"	\$10.01

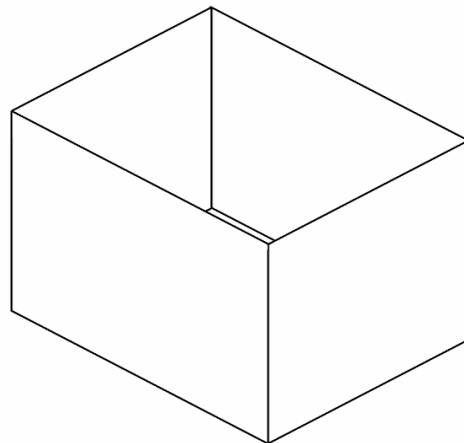


REGISTER BOX (unassembled)

SIZE	DEPTH	PRICE/EA
8"x 6"	6"	\$7.88
10"x 6"	6"	\$8.46

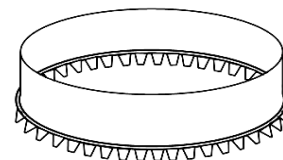
REGISTER BOX (assembled)

SIZE	DEPTH	PRICE/EA
8"x 6"	6"	\$8.75
10"x 6"	6"	\$9.40



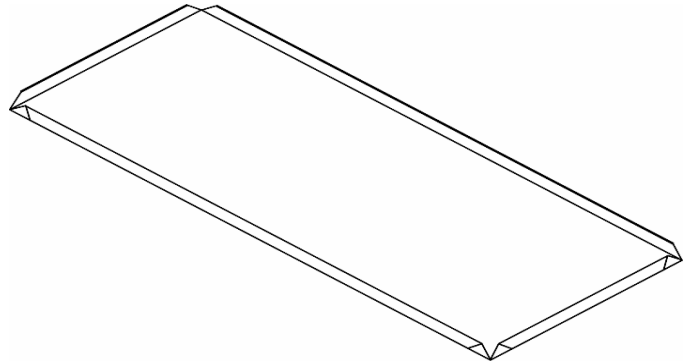
CUT IN COLLARS

SIZE	PRICE/EA
4"	\$4.36
5"	\$4.57
6"	\$4.77



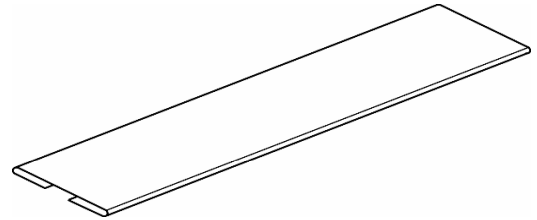
DUCT END CAP

SIZE	PRICE/EA
3"x 10"	\$1.75
8"x 8"	\$2.15
10"x 8"	\$2.24
12"x 8"	\$2.43
14"x 8"	\$2.71
16"x 8"	\$2.88
18"x 8"	\$3.05
20"x 8"	\$3.22
20"x 10"	\$3.60
24"x 8"	\$4.35
24"x 10"	\$4.94



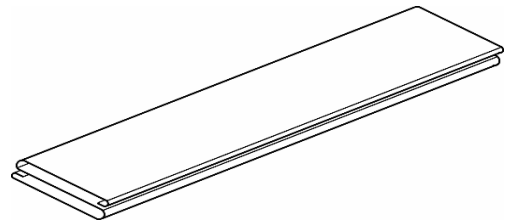
DRIVE CLEAT (residential gauge)

SIZE	PRICE/EA
8"	\$0.44
10"	\$0.48
60"	\$1.64



S-CLEAT (residential gauge)

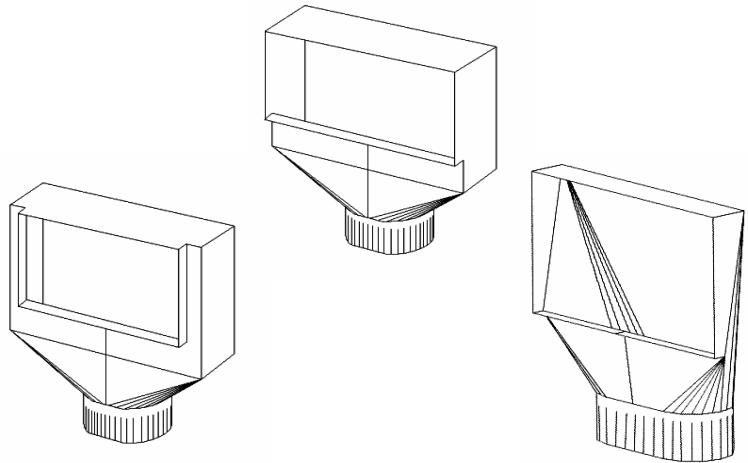
SIZE	PRICE/EA
10"	\$0.58
12"	\$0.63
14"	\$0.74
16"	\$0.80
18"	\$0.87
20"	\$0.96
24"	\$1.11
60"	\$2.49



***NOTE: S & Drive are included with all fittings and duct work.
Prices apply only to extra cleats requested.**

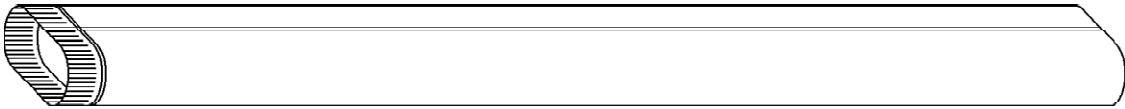
STACK HEAD BOOT

SIZE	PRICE/EA
6"x 10" - 4" oval	\$23.32
6"x 8" - 4" oval	\$27.08
6"x 10" - 5" oval	\$24.99



OVAL PIPE

SIZE	PRICE/EA
5" (3"x 6 1/8") x 52"	\$13.50
6" (3"x 7 3/4") x 52"	\$16.16

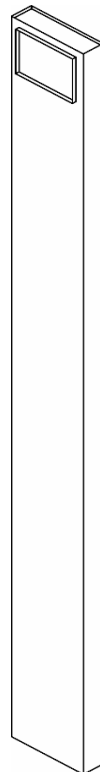


WALL STACK (unassembled)

SIZE	PRICE/EA
3"x 10"x 96"	\$36.41

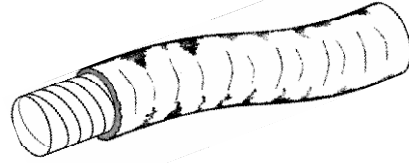
WALL STACK (assembled)

SIZE	PRICE/EA
3"x 10"x 96"	\$40.45



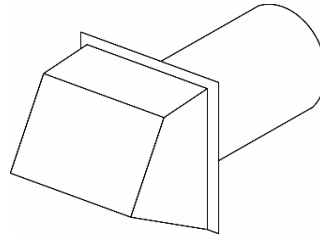
INSULATED FLEX PIPE

SIZE	PRICE/FT	FULL BOX(25')
4"	\$2.46	\$41.15
5"	\$2.73	\$45.51
6"	\$3.18	\$52.99



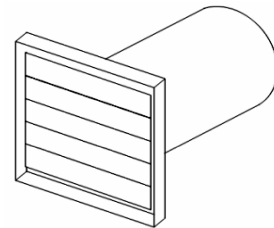
HRV HOOD (metal)

SIZE	PRICE/EA
6"	\$24.20



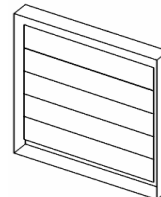
EXHAUST HOOD (plastic)

SIZE	PRICE/EA
4"	\$7.03
5"	\$8.34
6"	\$10.01



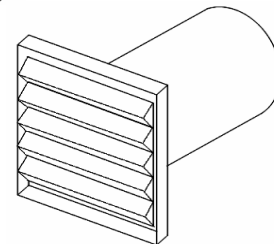
EXHAUST HOOD ONLY (plastic)

SIZE	PRICE/EA
4"	\$3.02
5"	\$5.33
6"	\$5.68



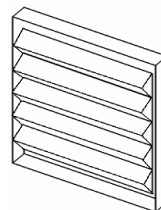
INTAKE HOOD (plastic)

SIZE	PRICE/EA
4"	\$7.03
5"	\$8.34
6"	\$10.01



INTAKE HOOD ONLY (plastic)

SIZE	PRICE/EA
4"	\$3.02
5"	\$5.33
6"	\$5.68



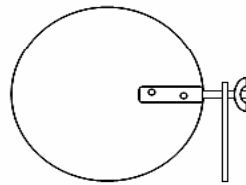
SNAP LOCK PIPE

SIZE	PRICE/FT
4"	\$2.07
5"	\$2.13
6"	\$2.77
4" LT	\$1.50
5" LT	\$1.80
6" LT	\$2.18



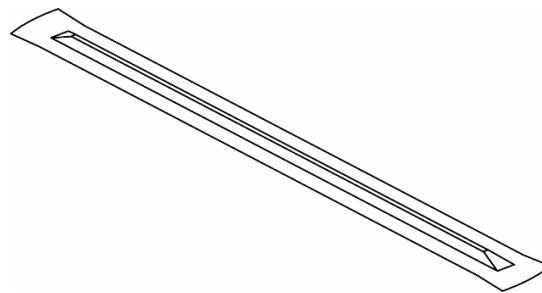
BALANCE DAMPER

SIZE	PRICE/EA
4"	\$2.81
5"	\$3.11
6"	\$3.24



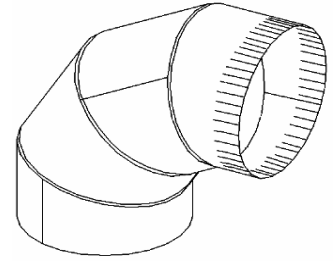
PIPE SUPPORTS

SIZE	PRICE/EA
12"	\$0.94
16"	\$1.11
19 1/4"	\$1.27
24"	\$1.44



ADJUSTABLE ELBOWS

SIZE	PRICE/EA
4"	\$3.24
5"	\$3.27
6"	\$3.82



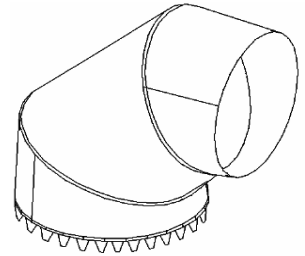
PLUGS

SIZE	PRICE/EA
4"	\$6.51
5"	\$6.81
6"	\$7.50



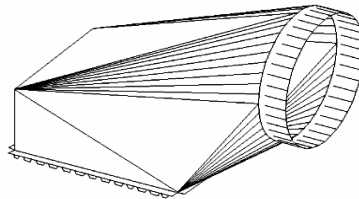
UNIVERSAL TAKE OFFS

SIZE	PRICE/EA
4"	\$5.53
5"	\$5.07
6"	\$5.69



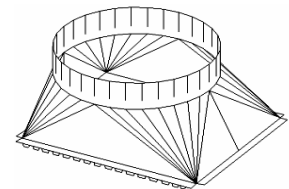
TOP TAKE OFFS

SIZE	PRICE/EA
4"	\$5.72
5"	\$4.42
6"	\$7.12



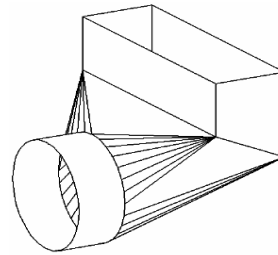
SIDE TAKE OFFS

SIZE	PRICE/EA
4"	\$5.72
5"	\$4.42
6"	\$6.30



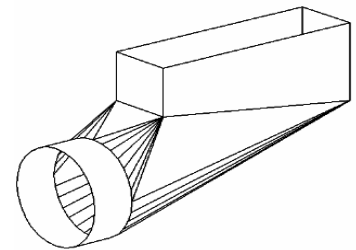
ANGLE BOOTS

SIZE	PRICE/EA
3"x 10" - 4"	\$5.40
3"x 10" - 5"	\$5.53
3"x 10" - 6"	\$6.13
4"x 10" - 5"	\$5.34
4"x 10" - 6"	\$6.54



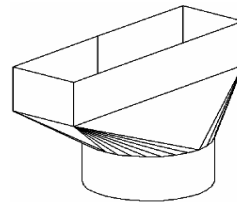
END BOOTS

SIZE	PRICE/EA
3"x 10" - 4"	\$5.40
3"x 10" - 5"	\$5.53
3"x 10" - 6"	\$6.13
4"x 10" - 5"	\$5.34
4"x 10" - 6"	\$6.54



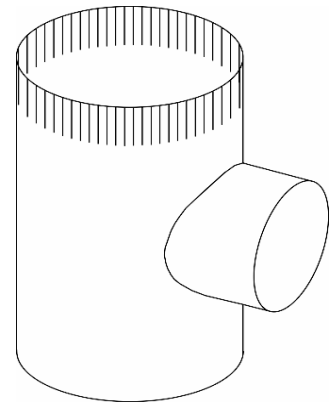
UNIVERSAL BOOTS

SIZE	PRICE/EA
3"x 10" - 4"	\$5.31
3"x 10" - 5"	\$5.19
3"x 10" - 6"	\$5.61
4"x 10" - 5"	\$5.34
4"x 10" - 6"	\$6.54



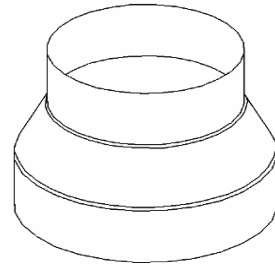
ROUND TEES

SIZE	PRICE/EA
4"x 4"x 4"	\$11.06
5"x 5"x 4"	\$12.50
5"x 5"x 5"	\$12.50
6"x 6"x 4"	\$14.42
6"x 6"x5"	\$14.42
6"x 6"x 6"	\$14.42



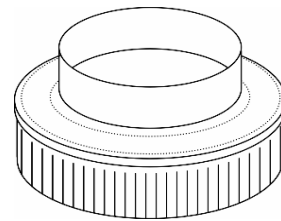
PIPE TAPERS

SIZE	PRICE/EA
5" - 4"	\$15.07
6" - 4"	\$15.39
6" - 5"	\$15.39



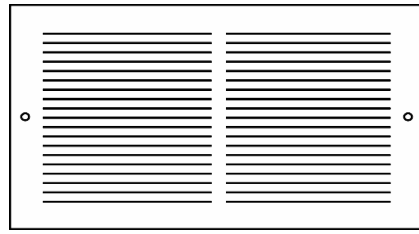
SPUN INCREASERS

SIZE	PRICE/EA
4" - 5"	\$15.07
4" - 6"	\$15.39
5" - 6"	\$15.39



FLAT WALL GRILLE (Steel white)

SIZE	PRICE/ EA
8"x 6"	\$13.10
10"x 6"	\$11.29
10"x 6" w/grease filter	\$28.00



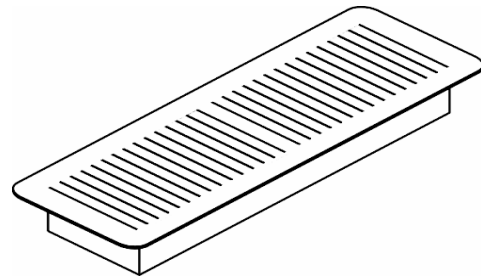
TOE SPACE GRILLE (Steel white)

SIZE	PRICE/ EA
2 1/4"x 10"	\$5.80



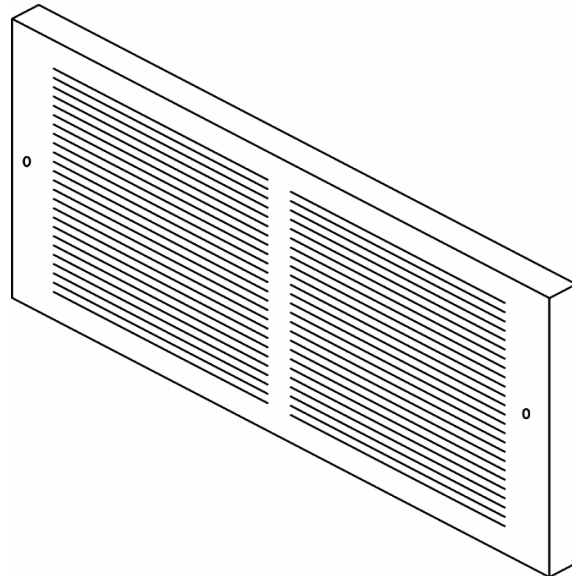
REGISTER (Plastic white/toupe)

SIZE	PRICE/ EA
3"x10"	\$3.81
4" x 10"	\$3.97



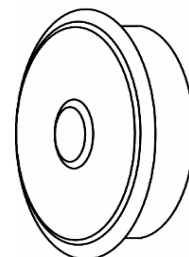
BASEBOARD GRILLE (Steel white)

SIZE	PRICE/ EA
14"x 6"	\$10.41
24"x 6"	\$14.53
30"x 6"	\$17.84



ADJUST-A-VENT (Plastic white)

SIZE	PRICE/ EA
4"	\$10.20
5"	\$12.47
6"	\$14.74



FOILBACK INSULATION

SIZE	PRICE/ LIN. FT	FULL ROLL(100')
48"x 1"	\$3.70	\$296.00

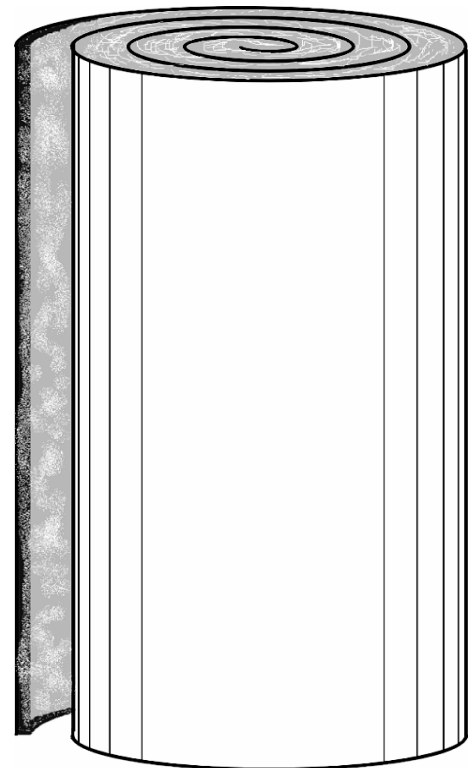
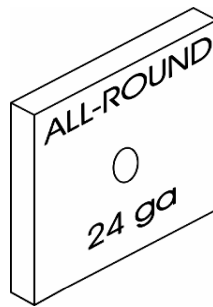
FOIL TAPE

SIZE	PRICE/EA
2"	\$14.50
3"	\$21.80



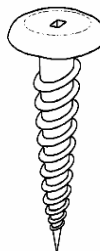
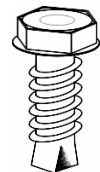
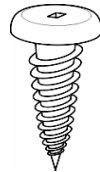
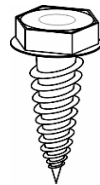
ALL ROUND (Strapping)

SIZE	PRICE/EA
³ / ₄ " x 25'	\$5.78



SCREWS

SIZE	HEAD	TIP	QTY	PRICE/EA
#8 x ¹ / ₂ "	1/4" Hex	Speed point	200 - 499	\$0.061
			500 - 999	\$0.046
			1000 +	\$0.031
#8 x ¹ / ₂ "	Robertson	Speed point	1 - 199	\$0.044
			200 - 499	\$0.035
			500 - 999	\$0.026
			1000 +	\$0.018
#8 x ¹ / ₂ "	1/4" Hex	Self-drilling	1 - 199	\$0.099
			200 - 499	\$0.079
			500 - 999	\$0.060
			1000 +	\$0.040
#8 x 1"	Robertson	Speed point	1 - 199	\$0.172
			200 - 499	\$0.137
			500 - 999	\$0.103
			1000 +	\$0.069



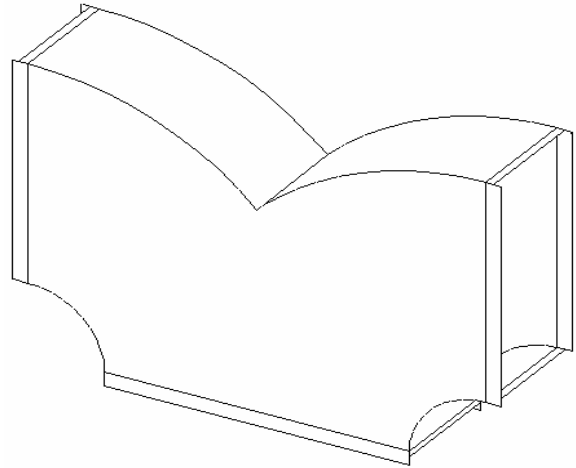
RESIDENTIAL CUSTOM MATERIAL

DUCT TEE (unassembled)

SIZE	PRICE/EA
14"x 8"	\$52.00
16"x 8"	\$58.01
18"x 8"	\$60.51
20"x 8"	\$63.19
20"x 10"	\$64.39
24"x 8"	\$84.98
24"x 10"	\$86.53

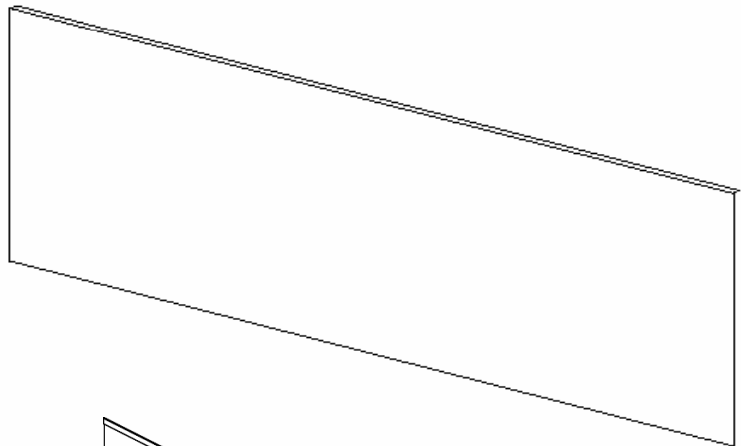
DUCT TEE (assembled)

SIZE	PRICE/EA
14"x 8"	\$57.78
16"x 8"	\$64.46
18"x 8"	\$67.23
20"x 8"	\$70.21
20"x 10"	\$71.54
24"x 8"	\$94.42
24"x 10"	\$96.14



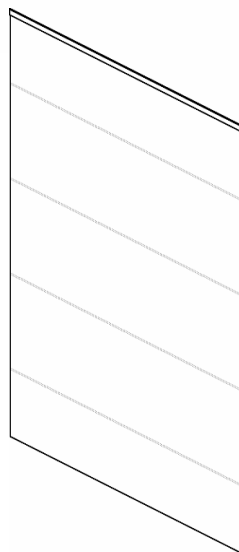
PLENUM TRANSITION METAL

SIZE	PRICE/EA
11"x 60"	\$8.68
23"x 60"	\$17.41
29"x 60"	\$21.76



METAL JOIST LINER

SIZE	PRICE/EA
16"x 36"	\$5.01
19 1/4"x 36"	\$5.91
24"x 36"	\$7.32



***NOTE: Approximate plenum size pricing for cost estimating.**

FURNACE PLENUM (unassembled)

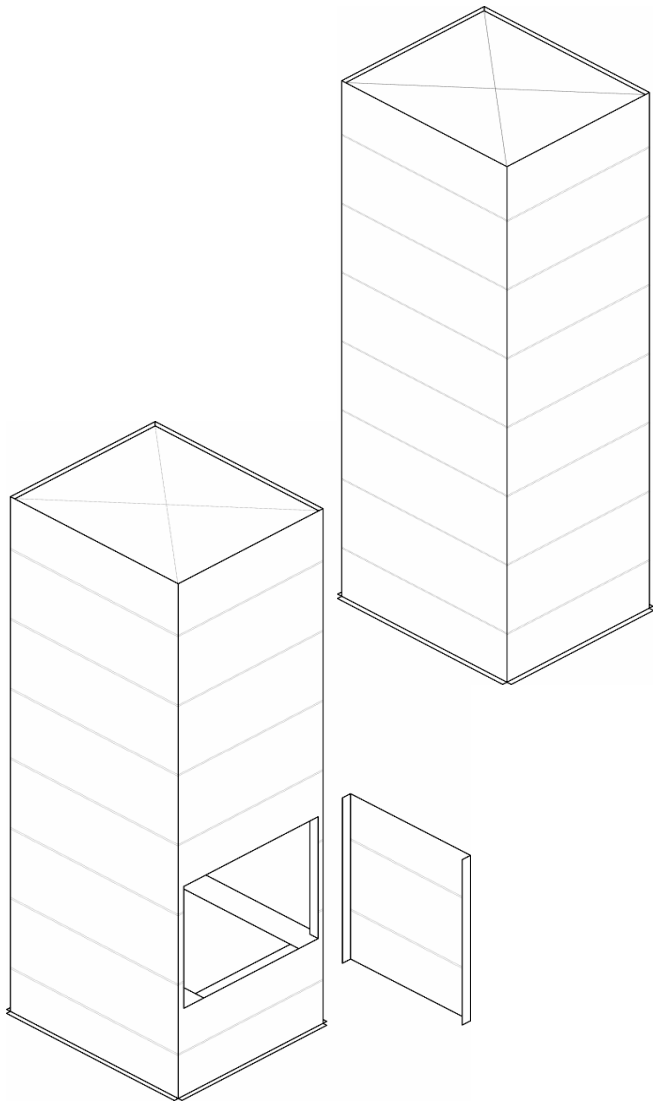
SIZE	HEIGHT	PRICE/EA
16"x 18"	59"	\$82.82
	29"	\$59.85
18"x 20"	59"	\$88.86
	29"	\$63.28
20"x 22"	59"	\$109.18
	29"	\$81.04
22"x 24"	59"	\$128.55
	29"	\$91.89

FURNACE PLENUM (assembled)

SIZE	HEIGHT	PRICE/EA
16"x 18"	59"	\$91.97
	29"	\$66.47
18"x 20"	59"	\$98.68
	29"	\$70.27
20"x 22"	59"	\$121.25
	29"	\$89.99
22"x 24"	59"	\$142.75
	29"	\$102.04

FURNACE PLENUM (A/C ready)

Add to cost of plenum	PRICE/EA
	\$50.67



SHORT WAY 90° (unassembled)

SIZE	PRICE/EA
8"x 8"	\$15.33
10"x 8"	\$15.89

SHORT WAY 90° (assembled)

SIZE	PRICE/EA
8"x 8"	\$17.03
10"x 8"	\$17.65

SHORT WAY 45° (unassembled)

SIZE	PRICE/EA
8"x 8"	\$12.15
10"x 8"	\$12.43

SHORT WAY 45° (assembled)

SIZE	PRICE/EA
8"x 8"	\$13.50
10"x 8"	\$13.81

LONG WAY 90° (unassembled)

SIZE	PRICE/EA
8"x 8"	\$16.67
10"x 8"	\$17.24

LONG WAY 90° (assembled)

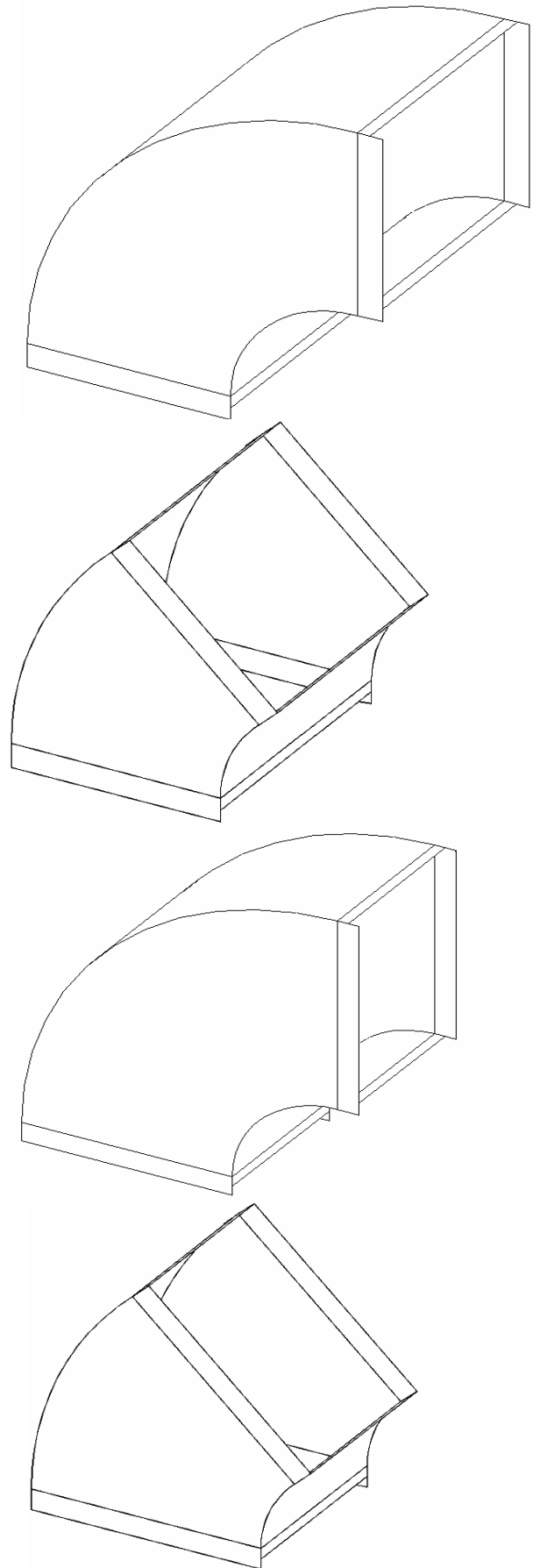
SIZE	PRICE/EA
8"x 8"	\$18.52
10"x 8"	\$19.15

LONG WAY 45° (unassembled)

SIZE	PRICE/EA
8"x 8"	\$14.78
10"x 8"	\$15.89

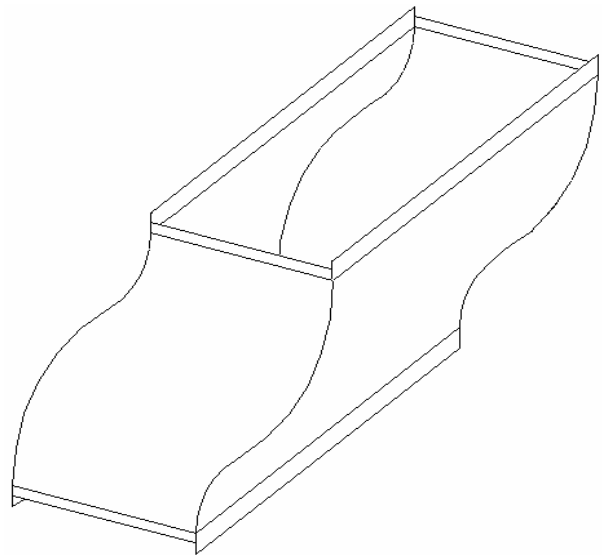
LONG WAY 45° (assembled)

SIZE	PRICE/EA
8"x 8"	\$16.42
10"x 8"	\$17.65



SHORT WAY OFFSET (unassembled)

SIZE	OFFSET	PRICE/EA
12"x 8"	2"	\$25.85
14"x 8"	2"	\$26.20
16"x 8"	2"	\$27.94
18"x 8"	2"	\$28.39
20"x 8"	2"	\$38.44
20"x 10"	2"	\$38.87
24"x 8"	2"	\$40.91
24"x 10"	2"	\$41.43

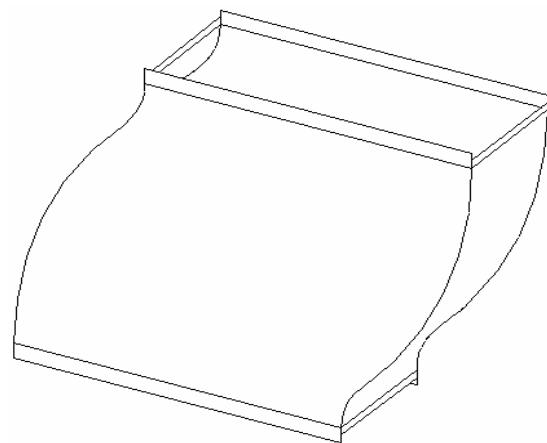


SHORT WAY OFFSET (assembled)

SIZE	OFFSET	PRICE/EA
12"x 8"	2"	\$28.72
14"x 8"	2"	\$29.11
16"x 8"	2"	\$31.04
18"x 8"	2"	\$31.54
20"x 8"	2"	\$42.71
20"x 10"	2"	\$43.19
24"x 8"	2"	\$45.45
24"x 10"	2"	\$46.03

LONG WAY OFFSET (unassembled)

SIZE	OFFSET	PRICE/EA
12"x 8"	2"	\$25.82
14"x 8"	2"	\$27.05
16"x 8"	2"	\$29.11
18"x 8"	2"	\$30.95
20"x 8"	2"	\$41.16
20"x 10"	2"	\$41.78
24"x 8"	2"	\$46.42
24"x 10"	2"	\$47.27

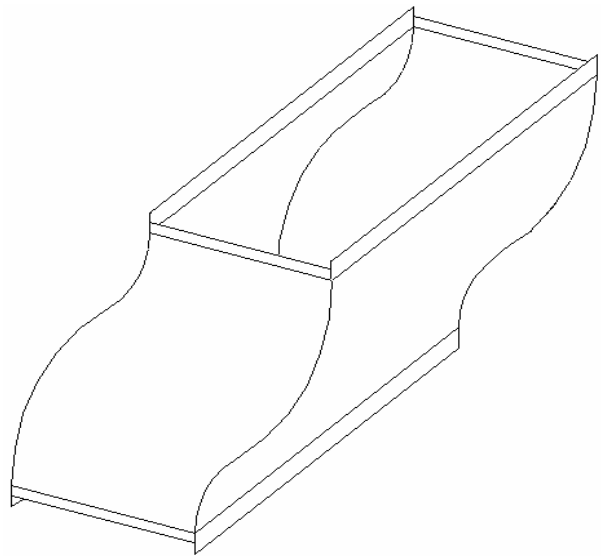


LONG WAY OFFSET (assembled)

SIZE	OFFSET	PRICE/EA
12"x 8"	2"	\$28.69
14"x 8"	2"	\$30.06
16"x 8"	2"	\$32.34
18"x 8"	2"	\$34.39
20"x 8"	2"	\$45.73
20"x 10"	2"	\$46.42
24"x 8"	2"	\$51.58
24"x 10"	2"	\$52.52

SHORT WAY OFFSET (unassembled)

SIZE	OFFSET	PRICE/EA
12"x 8"	6"	\$28.84
14"x 8"	6"	\$29.38
16"x 8"	6"	\$32.25
18"x 8"	6"	\$32.95
20"x 8"	6"	\$43.24
20"x 10"	6"	\$43.85
24"x 8"	6"	\$47.21
24"x 10"	6"	\$47.94

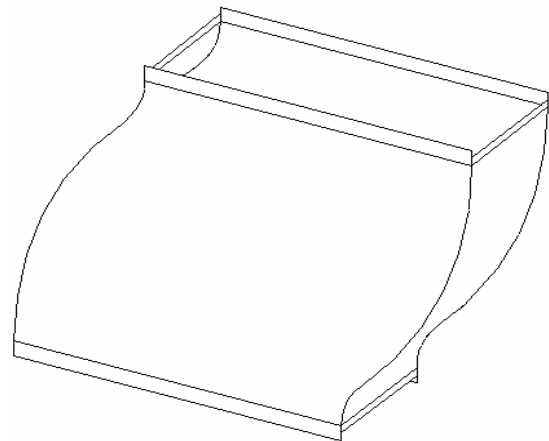


SHORT WAY OFFSET (assembled)

SIZE	OFFSET	PRICE/EA
12"x 8"	6"	\$32.04
14"x 8"	6"	\$32.64
16"x 8"	6"	\$35.83
18"x 8"	6"	\$36.61
20"x 8"	6"	\$48.04
20"x 10"	6"	\$48.72
24"x 8"	6"	\$52.46
24"x 10"	6"	\$53.27

LONG WAY OFFSET (unassembled)

SIZE	OFFSET	PRICE/EA
12"x 8"	6"	\$29.64
14"x 8"	6"	\$31.19
16"x 8"	6"	\$34.66
18"x 8"	6"	\$36.90
20"x 8"	6"	\$47.38
20"x 10"	6"	\$48.31
24"x 8"	6"	\$54.66
24"x 10"	6"	\$55.86



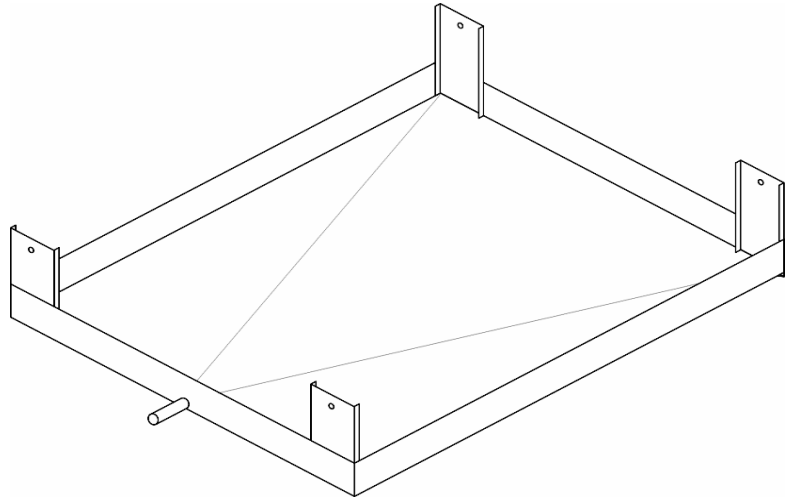
LONG WAY OFFSET (assembled)

SIZE	OFFSET	PRICE/EA
12"x 8"	6"	\$32.93
14"x 8"	6"	\$34.65
16"x 8"	6"	\$38.51
18"x 8"	6"	\$41.00
20"x 8"	6"	\$52.64
20"x 10"	6"	\$53.68
24"x 8"	6"	\$60.73
24"x 10"	6"	\$62.07

HORIZONTAL A-COIL PAN

SIZE UP TO	PRICE/EA
20" x 20"	\$56.32
20" x 24"	\$59.07

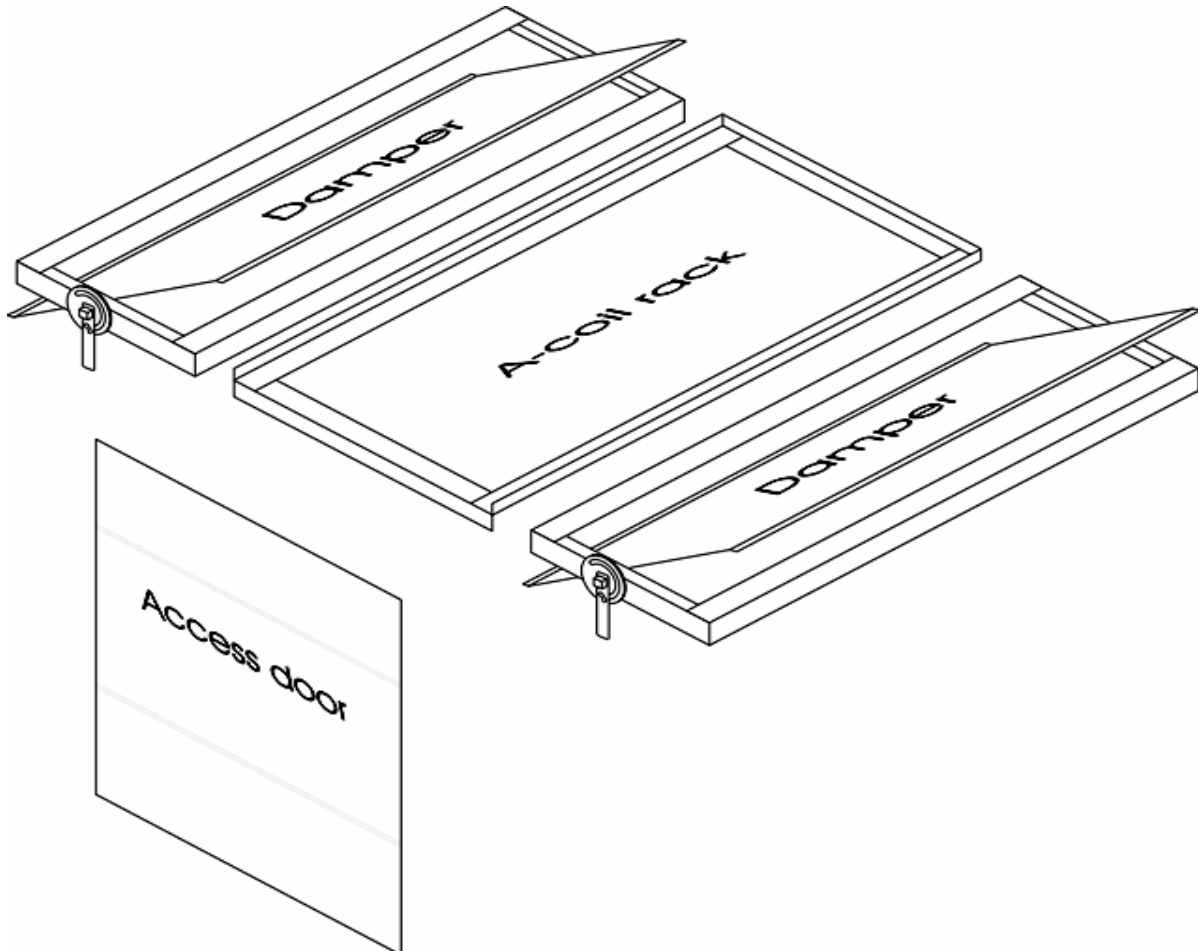
***NOTE: Built to spec.**



A-COIL DAMPER KIT (wood furnace)

SIZE UP TO	PRICE/EA
36" x 24"	\$122.67

***NOTE: Built to spec.**

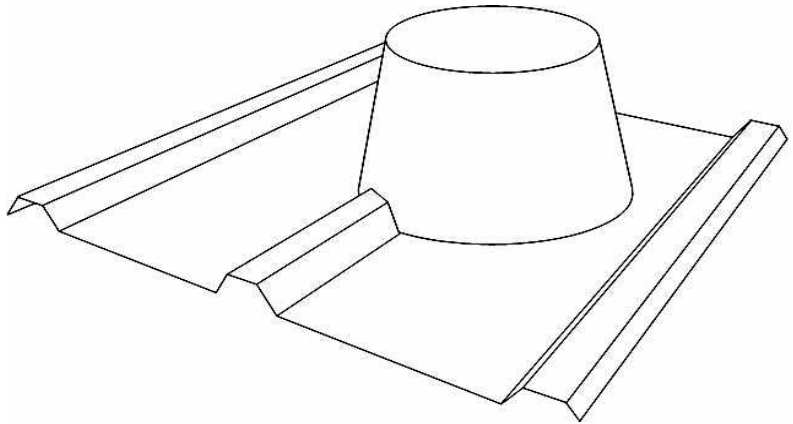


FLASHING

METAL ROOF FLASHINGS

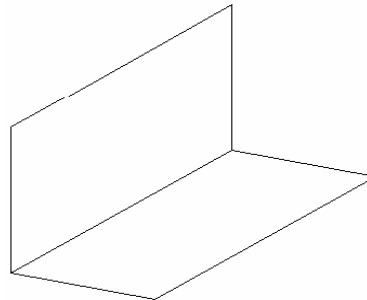
SIZE	PRICE/EA
4"	\$99.69
5"	\$103.62
6"	\$107.89
8"	\$117.52

***NOTE: Built to spec.**



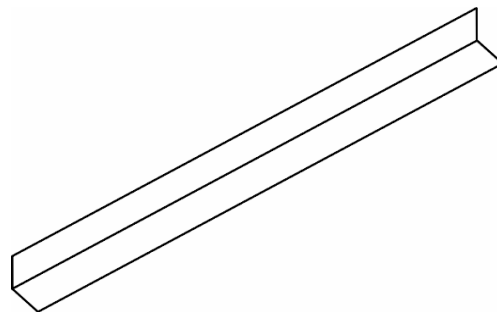
STEP FLASHING

SIZE	PRICE/EA
3"x 3"x 8"	\$0.43
5"x 5"x 8"	\$0.67



WALL FLASHING

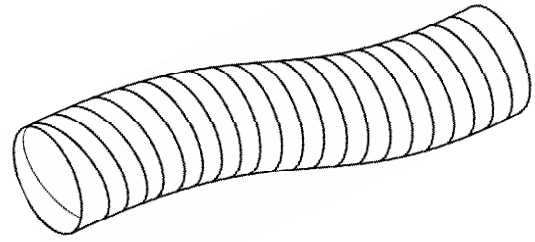
SIZE	PRICE/FT
3"x 3"x 96"	\$0.49
5"x 5"x 96"	\$0.82



COMMERCIAL STOCK MATERIAL

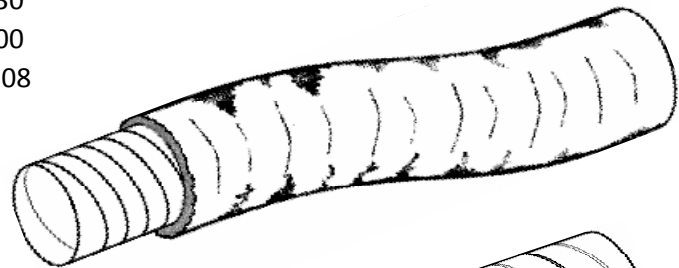
COMMERCIAL FLEX PIPE

SIZE	PRICE/FT	FULL BOX(25')
4"	\$2.69	\$44.85
5"	\$2.97	\$49.45
6"	\$3.48	\$58.08
8"	\$5.52	\$92.00
10"	\$6.04	\$100.63
12"	\$7.49	\$124.78



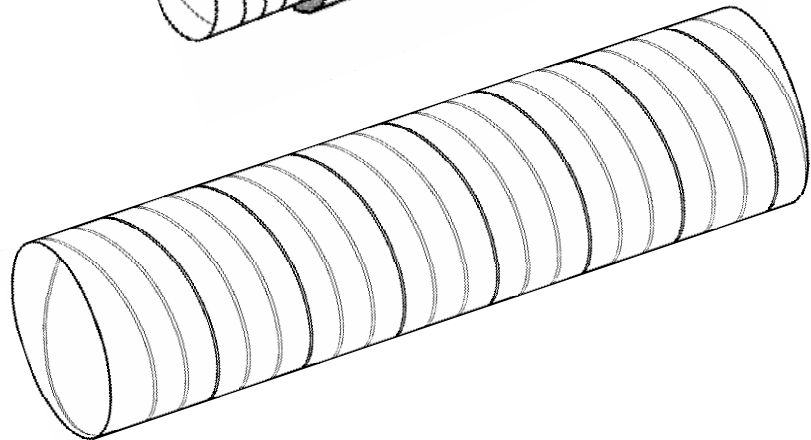
INSULATED FLEX PIPE

SIZE	PRICE/FT	FULL BOX(25')
8"	\$4.28	\$71.30
10"	\$5.52	\$92.00
12"	\$7.62	\$127.08



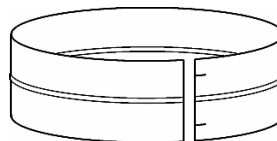
SPIRAL PIPE

SIZE	PRICE/FT
4"	\$2.84
5"	\$3.59
6"	\$4.21
8"	\$5.69
10"	\$7.17
12"	\$8.52
14"	\$9.88
16"	\$12.86
18"	\$14.57



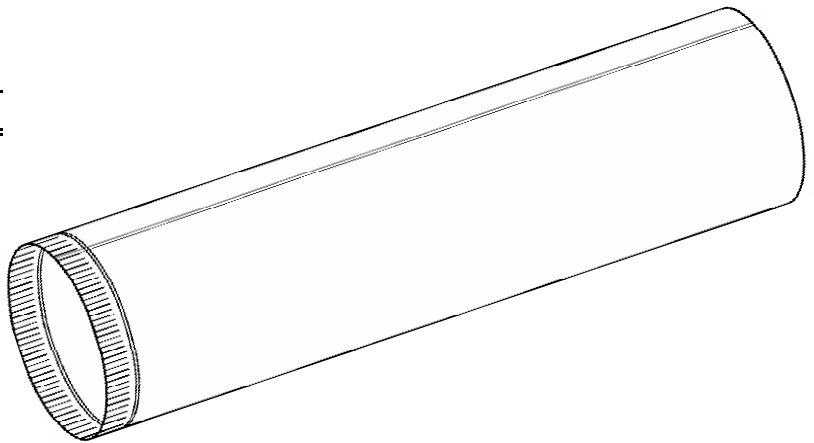
SPIRAL COUPLING

SIZE	PRICE/EA
4"	\$3.62
5"	\$4.31
6"	\$4.58
8"	\$5.53
10"	\$6.50
12"	\$7.45
14"	\$8.41
16"	\$10.13
18"	\$11.18



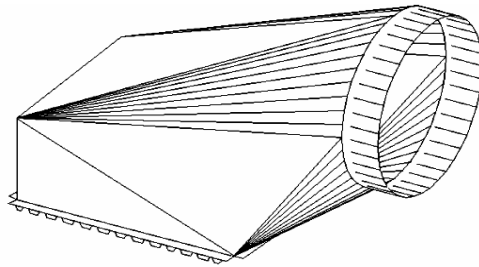
SNAP LOCK PIPE

SIZE	PRICE/FT
7"	\$6.20
8"	\$6.74
9"	\$8.43
10"	\$8.74
12"	\$10.62



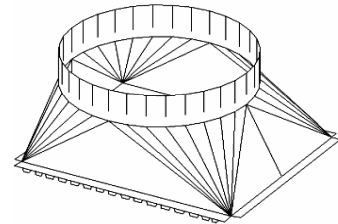
TOP TAKE OFF

SIZE	PRICE/EA
8"	\$33.35
10"	\$49.73
12"	\$93.68



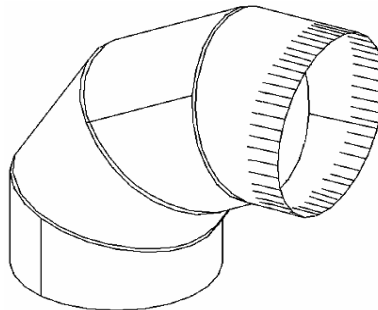
SIDE TAKE OFF

SIZE	PRICE/EA
7"	\$13.53
8"	\$26.92
9"	\$40.94
10"	\$36.04
12"	\$41.87



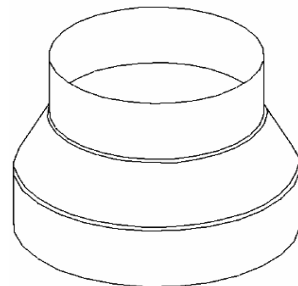
ADJUSTABLE ELBOWS

SIZE	PRICE/EA
7"	\$11.75
8"	\$13.14
9"	\$26.02
10"	\$21.00
12"	\$29.77
14"	\$37.40
16"	\$71.26
18"	\$80.38



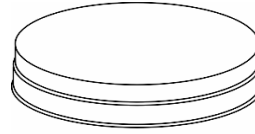
PIPE TAPER

SIZE	PRICE/EA
8"- 6"	\$19.38
8"- 7"	\$19.38
10"- 9"	\$34.64
10"- 8"	\$34.64
12"- 10"	\$39.43



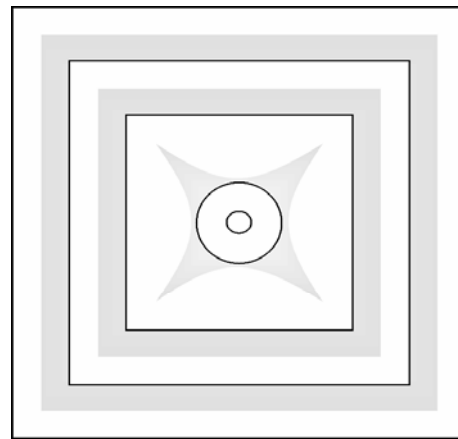
PLUGS

SIZE	PRICE/EA
7"	\$9.26
8"	\$10.88
9"	\$12.62
10"	\$12.45
12"	\$15.75
14"	\$18.74
16"	\$22.05
18"	\$27.07



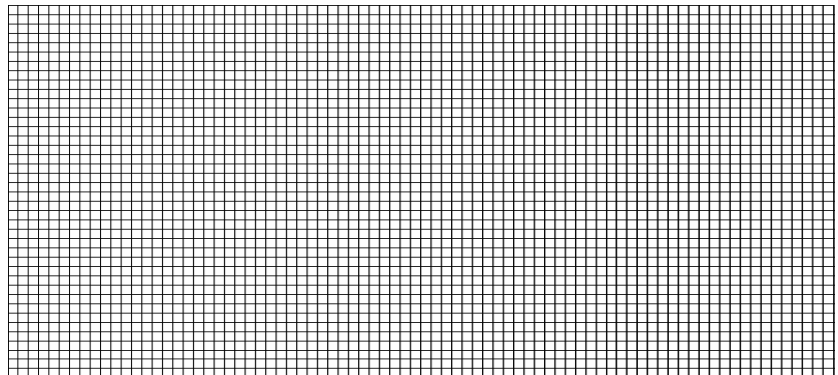
LAY-IN T-BAR DIFFUSER

SIZE	PRICE/EA
6"	\$57.83
8"	\$57.83
10"	\$57.83
12"	\$57.83
14"	\$57.83



EGGCRATE (plastic)

SIZE	PRICE/EA
24"x 48"x 3/8"	\$20.82



DRIVE CLEAT (commercial gauge)

SIZE	PRICE/FT
60"	\$0.51

S-CLEAT (commercial gauge)

SIZE	PRICE/FT
60"	\$0.83

***NOTE:** S & Drive are included with all fittings and duct work. Prices apply only to extra cleats requested.

STANDING S-CLEAT

SIZE	PRICE/FT
1/2"x 120"	\$1.74
1"x 120"	\$2.79

HANGER STRAP (22ga)

SIZE	PRICE/FT
1"x 120"	\$0.38

FIRE DAMPER ANGLE (22ga)

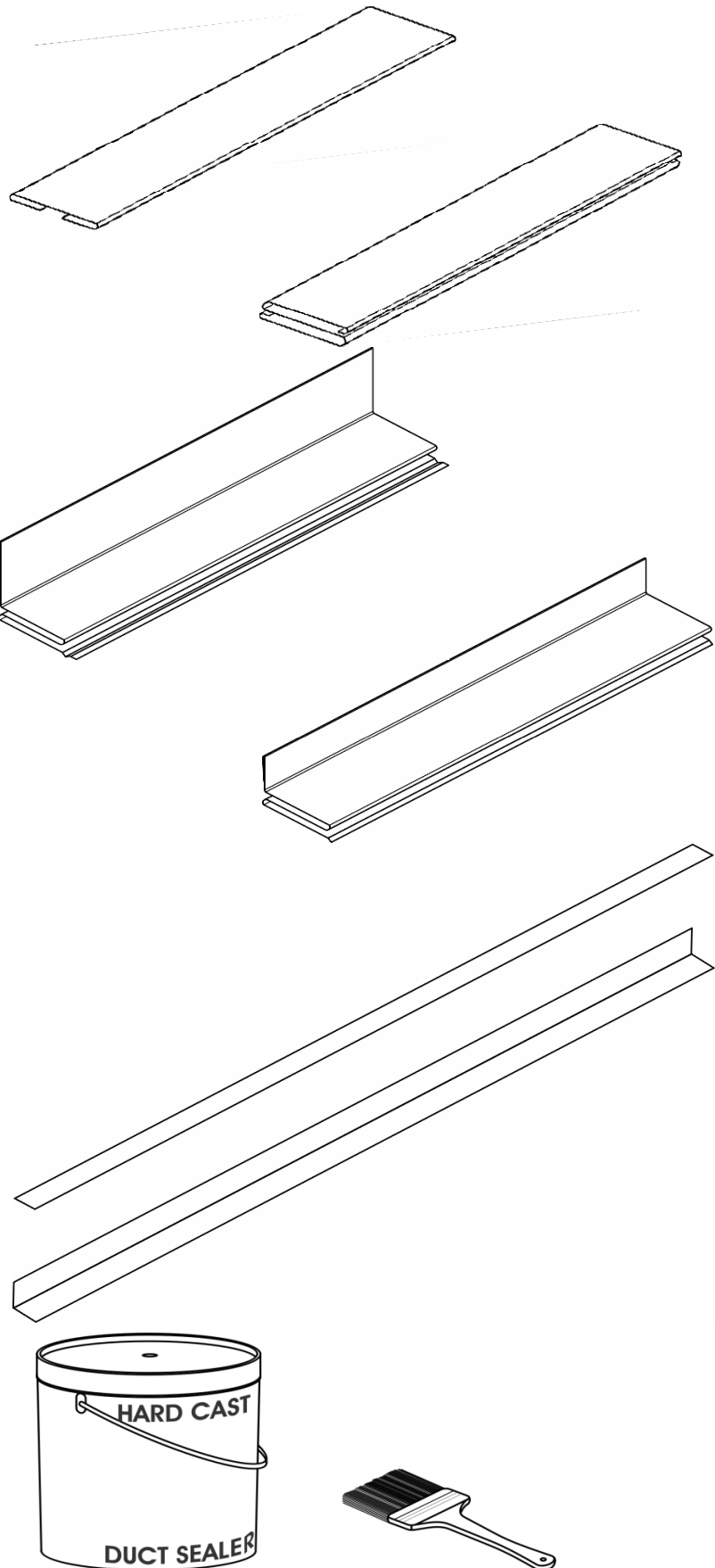
SIZE	PRICE/FT
1 1/2"x 1 1/2"x 120"	\$0.91

DUCT SEALER (water base)

SIZE	PRICE/EA
1 GALLON	\$38.54

DUCT SEALER BRUSH

SIZE	PRICE/EA
2"	\$3.28



KEHFAB CUSTOM MANUFACTURED

MOTORIZED DAMPER

SIZE	PRICE/EA
BUILT TO SPEC	C.F.P.

AIR CONTROLLED DAMPER

SIZE	PRICE/EA
BUILT TO SPEC	C.F.P.

INTAKE/EXHAUST LOUVER

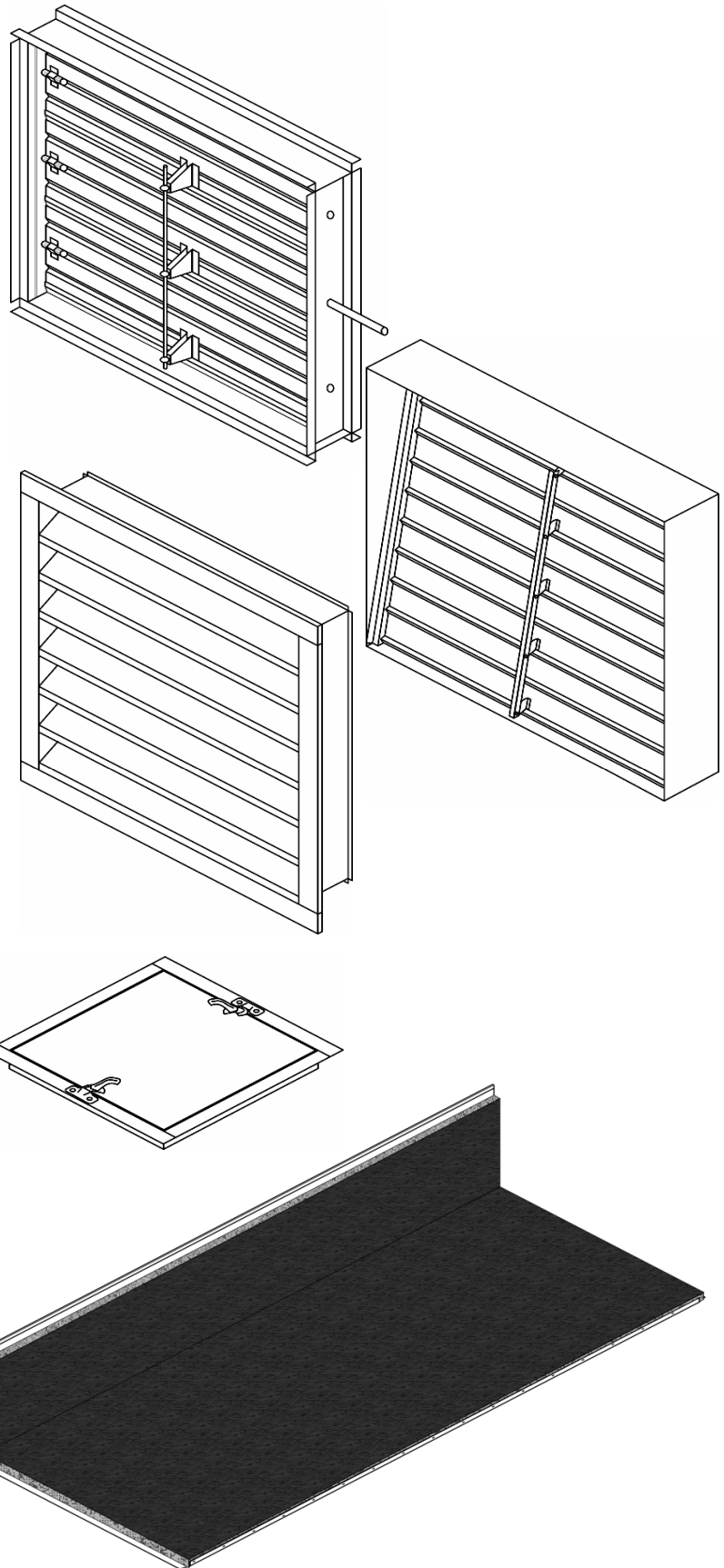
SIZE	PRICE/EA
BUILT TO SPEC	C.F.P.

ACCESS DOOR

SIZE	PRICE/EA
BUILT TO SPEC	C.F.P.

**ACAUSTICALLY INSULATED
DUCT & FITTINGS**

SIZE	PRICE/EA
BUILT TO SPEC	C.F.P.



NOTE: Call For Pricing on these items as well as many more custom products we manufacturer. If it's made of sheet metal we can build it.

CUSTOM CNC PLASMA CUTTING

Custom Cutting - Ferrous & Non-ferrous Material

SIZE	PRICE/EA
------	----------

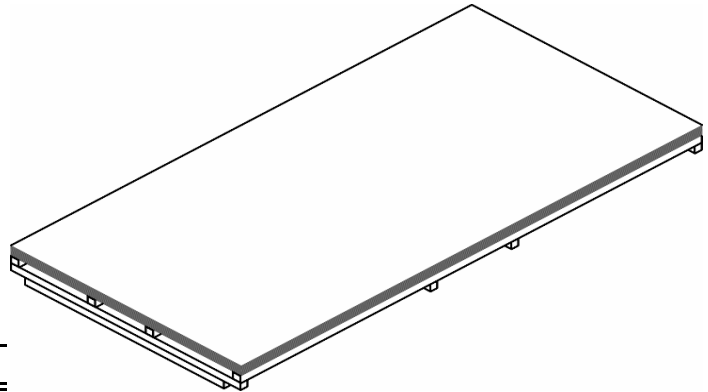
Kehfab is proud to offer a new way to serve you! We have a brand new CNC plasma-cutting table. We can cut up to a thickness of ½” in any variety of shapes and sizes customized to your individual needs. Consider custom lettering or shapes for signage, artistic designs for home accents, or allow us to cut your multiple items with exact matching dimensions. We can import autocad files and cut your drawings into sheet metal. The possibilities are unlimited! Please call us to discuss your project and for a quote.

C.F.P.

FLAT SHEET STOCK

GALVANIZED

GAUGE	SHEET SIZE	PRICE/EA
32	36"x 118"	\$32.05
30	48"x 96"	\$40.63
30	48"x 120"	\$50.80
28	60"x 120"	\$71.61
26	60"x 120"	\$79.73
24	60"x 120"	\$99.18
22	60"x 120"	\$119.09
20	60"x 120"	\$136.62
18	60"x 120"	\$175.49
16	60"x 120"	\$216.19



GALVANEALD

GAUGE	SHEET SIZE	PRICE/EA
22	48"x 120"	\$98.27

STAINLESS STEEL 304 2B

GAUGE	SHEET SIZE	PRICE/EA
24	48"x 120"	\$273.11
18	48"x 120"	\$520.00

STAINLESS STEEL 304 #4

GAUGE	SHEET SIZE	PRICE/EA
24	48"x 120"	\$300.87
18	48"x 120"	\$609.38

COPPER

GAUGE	SHEET SIZE	PRICE/EA
24 oz.	36"x 96"	\$615.00

ALUMINUM 5052

GAUGE	SHEET SIZE	PRICE/EA
20	48"x 96"	\$95.00

CLEAR ANODIZED ALUMINUM

GAUGE	SHEET SIZE	PRICE/EA
20	48"x 120"	\$490.00

NOTE: Pricing on flat stock material fluctuates through the year so please call for an accurate sheet price. Sheet pricing may changed without notice.